

PACKAGING



Warning

For proper use and maintenance refer to the user's handbook attached to the torch.

Attenzione

Consultare il manuale di uso e manutenzione allegato alla torcia.

Achtung

Bitte unbedingt das beigefügte Bedienungsstudbuch beachten.

Atención

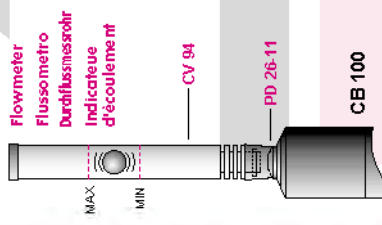
Consultez le manuel d'utilisation et de maintenance joint à la torche.

Check the state of the swirl ring. Air holes must be open, if not, the low cooling system will damage the torch head.

Controllare lo stato di efficienza del diffusore aria, che deve sempre presentare i fori di accesso aria liberi da ostruzioni.

Überprüfen das Luftweites, das die Löcher nicht verstopft sind.

Contrôler le remplissage du diffuseur d'air dont les trous d'accès d'air doivent rester libres de toutes obstructions.



Operating instructions

The excessive wear of tip and electrode may cause some damage to the torch head. Replace the electrode before its total consumption as well as the tip when showing an irregular hole or an increased diameter.

Modifica d'uso

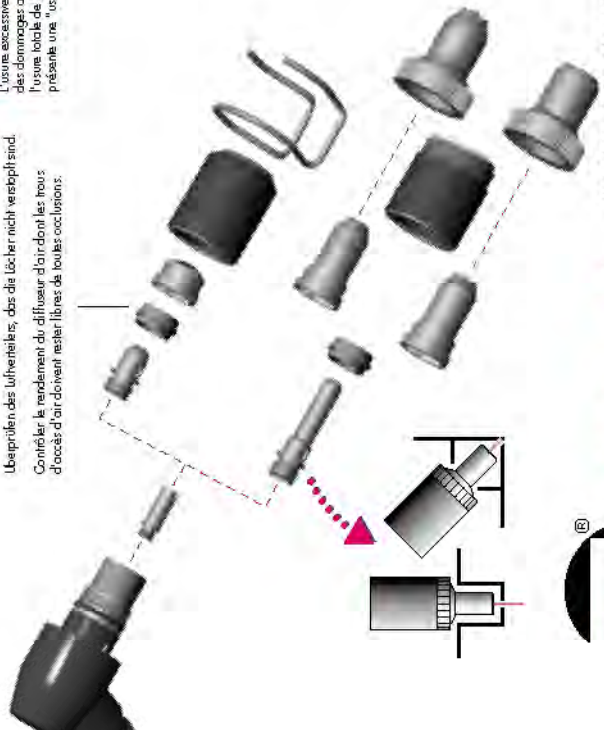
L'eccessiva usura di coppo ed elettrodo può creare danni al corpo torcia, sostituire l'elettrodo prima del totale consumo dell'intero e la coppo quando presenta un foro irregolare o di diametro maggiorato.

Gebrauchsanweisung

Elektrode und Schneidstift sollen auf den Verschleiß hin überprüft werden, überhöhte Feuernehmung führt zu vergrößerten Schneidabmaßen und kann zu einer Beschädigung des Feuerkopfparts führen.

Modifica d'usage

L'usure excessive de la bague et de l'électrode peuvent causer des dommages au col de cygne, remplacer l'électrode avant l'usage totale de l'insert en fin c'est-à-dire la bague si celle-ci présente une "usure irrégulière" ou un diamètre majoré.



TRAFIMET spa claims that all items on this catalogue are manufactured in conformity with the low voltage CE 7323 directive as per EN 60974-1 standard. The company reserves the right to modify any products without notice. TRAFIMET spa is the registered owner of all trademarks, patents and models.

Copyright © 1987 Trafimet Spa. All rights reserved. Print date 1990



EN 60974-1

CB 100 MANUAL CB 100 P AUTOMATIC

PLASMA TORCHES

trafimet®

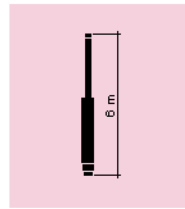
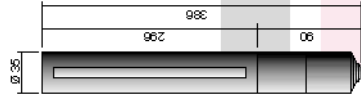
your welding partner



your welding partner

www.trafimet.com

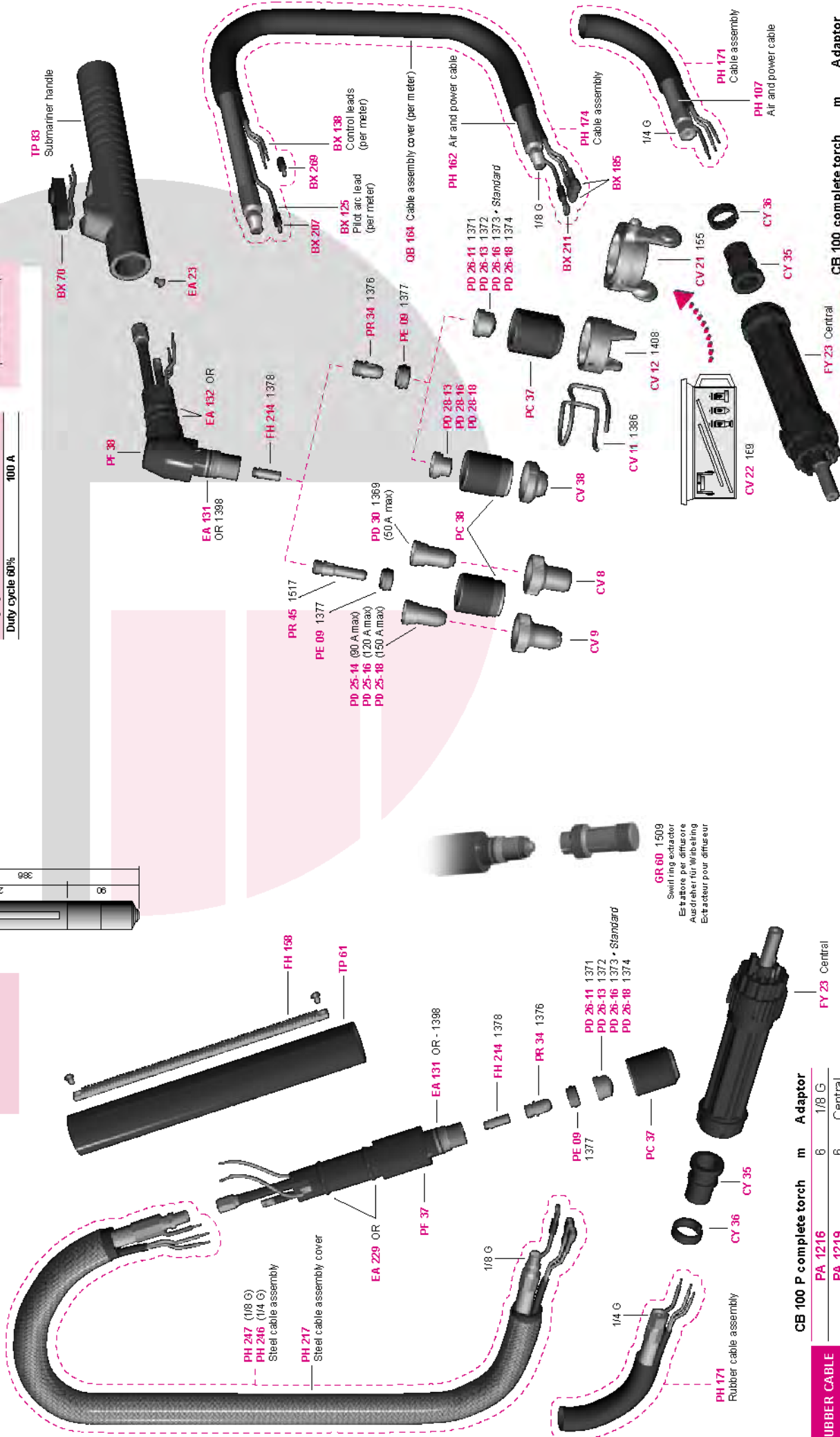
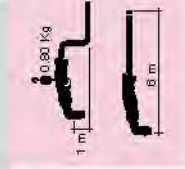
CB 700 P



Technical data CB 100 • CB 100 P

Voltage class	M
Standard length	6 m
Air consumption	180 l/min
Air pressure	5 bar
Duty cycle 100%	70 A
Duty cycle 60%	100 A

CB 100



CB 100 P complete torch

Adaptor	m
PA 1216	6 1/8 G
PA 1219	6 Central
PA 1225	6 1/8 G
PA 1227	6 Central

RUBBER CABLE

PA 1230	6 1/8 G
PA 1232	6 Central

Submariner handle

PA 1230	6 1/8 G
PA 1232	6 Central

CB 100 complete torch

Adaptor	m
PA 1230	6 1/8 G
PA 1232	6 Central

GR 60 1509
Swirl ring extractor
Estrattore per diffusore
Ausdreher für Wirbelring
Extracteur pour diffuseur

PLASMATOORTS CB 100

Leverancier	artikelnummer Tramex	Omschrijving	Type
	2542650544	Plasma Snijtoorts 6M	CB 100 1/8G
	2542650545	Plasma Snijtoorts 6M	CB 100 C.A.
FH0214	2552650553	Dompelpijpje	CB100 1378
PR0034	2552650496	Electrode kort	CB100+150 1376
PE0009	2552650498	Luchtverdeler	CB100+150 1377
PD0028-13	2552650509	Snij-kontakt-mondst. 1.35	CB100+150
PD0028-16	2552650510	Snij-kontakt-mondst. 1.60	CB100+150
PD0028-18	2552650511	Snij-kontakt-mondst. 1.8	CB100+150
PC0038	2552650568	Gasmondstuk	CB100
CV0038	2552650513	Afstand-kontakt-stuk	CB150
PR0034	2552650496	Electrode kort	CB100+150 1376
PE0009	2552650498	Luchtverdeler	CB100+150 1377
PD0026-11	2552650499	Snijmondstuk 1.1	CB100+150 1371
PD0026-13	2552650500	Snijmondstuk	CB100+150 1372
PD0026-18	2552650502	Snijmondstuk	CB100+150 1374
PD0026-30	2552650503	Gutsmondstuk 3.0	CB150 1375
PC0037	2552650567	Gasmondstuk	CB100
CV0011	2522632312	Afstandsveer	Diverse toortsen
CV0012	2522632313	Afstandsbus 2-poots	Diverse toortsen
CV0021	2522632321	Snijwagen	Diverse toortsen
PR0045	2552650497	Electrode lang HF	CB100+150 1517
PE0009	2552650498	Luchtverdeler	CB100+150 1377
PD0025-14	2552650593	Snijmondstuk 90A	CB100+150
PD0025-16	2552650594	Snijmondstuk 120A	CB100+150
PD0025-18	2552650595	Snijmondstuk 150A	CB100+150
PC0038	2552650568	Gasmondstuk	CB100
CV0009	2522632349	Afst.cup-kontaktsnijden	A101+A141+A151
PD0030	2552650504	Snijmondstuk lang 50A	CB100+150 1369
CV0008	2522632348	Afst.cup-kontaktsnijden	A101+A141+A151
TP0083	2552650585	Handgreep	CB100+CB150
BX0070	2522632203	Mikroschakelaar	Diverse toortsen
EA0023	2522632232	Borgmoer handgreep	Diverse toortsen
PF0038	2552650550	Branderlichaam	CB100
EA0131	2522632302	O-Ring	Diverse toortsen
EA0132	2522632303	O-Ring	Diverse toortsen
FH0214	2552650553	Dompelpijpje	CB100 1378
BX0207	2552650557	Nippel	CB100P
BX0269	2552650300	Kontakthouder plat	CB 50
BX0125	2552650298	Kabelpilotboog	CB 50
BX0138	2522632079	Controle kabel	S 45
QB0164	2552650577	Beschermhoes	CB100
PH0162	2552650588	Stroom-luchtkabel 6M	CB100+150
BX0211	2552650299	Nippel	CB 50
BX0185	2552650403	Stekker V	CB 70
PH0174	2552650569	Toortspakket 6M	CB100

PLASMATOORTS CB 100

Leverancier	artikelnummer Tramex	Omschrijving	Type
PH0171	2552650565	Toortspakket 6M	CB100P
PH0107	2522632445	Stroom-luchtkabel 6mtr.	A 141
CY0036	2522632444	Vulring	A141+A151
CY0035	2522632443	Buigbescherming handgreep	A141+A151
FY0023	2522632130	C.A. 5-pins Kpl. T.Z.	Diverse plasma
CV0094	2552650521	Flowmeter	CB150
CV0022	2522632322	Snijwagen-passer-set	Diverse toortsen

PLASMATOORTS CB 100 P

Leverancier	artikelnummer Tramex	Omschrijving	Type
PA1216	2542650546	Plasma aut.toorts 6M 1/8	CB100P
PA1219	2542650547	Plasma aut.toorts 6M cen	CB100P
FH0214	2552650553	Dompelpijpje	CB100 1378
PR0034	2552650496	Electrode kort	CB100+150 1376
PE0009	2552650498	Luchtverdeler	CB100+150 1377
PD0026-11	2552650499	Snijmondstuk 1.1	CB100+150 1371
PD0026-13	2552650500	Snijmondstuk	CB100+150 1372
PD0026-16	2552650501	Snijmondstuk	CB100+150 1373
PD0026-18	2552650502	Snijmondstuk	CB100+150 1374
PD0026-30	2552650503	Gutsmondstuk 3.0	CB150 1375
PC0037	2552650567	Gasmondstuk	CB100
PF0037	2552650602	Aut.brandervelichaam recht	CB100P
EA0131	2522632302	O-Ring	Diverse toortsen
EA0229	2522632376	O-Ring	Diverse toortsen
TP0061	2522632281	Handgreep	Diverse toortsen
FH0158	2522632285	Tandheugel	Diverse toortsen
PH0171	2552650565	Toortspakket 6M	CB100P
CY0036	2522632444	Vulring	A141+A151
CY0035	2522632443	Buigbescherming handgreep	A141+A151
FY0023	2522632130	C.A. 5-pins Kpl. T.Z.	Diverse plasma
CV0094	2552650521	Flowmeter	CB150
CV0022	2522632322	Snijwagen-passer-set	Diverse toortsen